



# ION

*The finest air that the gods breathe*



---

**BRILLAMENTI** is pleased to introduce you **ION**, an innovative air purifier that effectively cleans closed environments **breaking down viruses, moulds, bacteria, mites, fine dust and pollen**; without producing UV rays, or any type of substance harmful to humans.

**ION** is also a design table lamp with a suggestive **ray of light** and a natural **balsamic perfume coming from the wood it's wrapped in**.

---



Nature has thought everything, even to produce clean air using positive and negative ions generated by solar and terrestrial energies. Brillamenti, with Ion, **reproduces the action of Mother Nature** by restoring the ideal ionic balance in the air.

Thanks to this process, it will be like breathing the high mountain or the water edge air directly inside your living spaces.

The technology enclosed in Ion is able to:

- effectively break down allergens and harmful pollutants, **viruses, bacteria;**
- reduce bad smells, fine dust and Volatile Organic Compounds (VOC);
- inactivate moulds spores;
- stimulate a feeling of well-being and positive energy.

**It does not require particular maintenance.**

Ion is equipped with a **double LED lighting source** designed to create warm and relaxing decorative effects.

Built with **Cirmolo wood**, a tree that grows at high altitudes in our beautiful Dolomites, this lamp gives, with its persistent balsamic scent, a pleasant sense of lightness and tranquility.

From its traditional uses this wood is well known for its antibacterial properties, and for supporting a better sleep and energy recovery.





## USEFUL INFORMATS

As an example, we indicate the average concentration of air ions in some natural areas:



Mountain: 15.000 ions/cm<sup>3</sup>



Coast areas: 50.000 ions/cm<sup>3</sup>



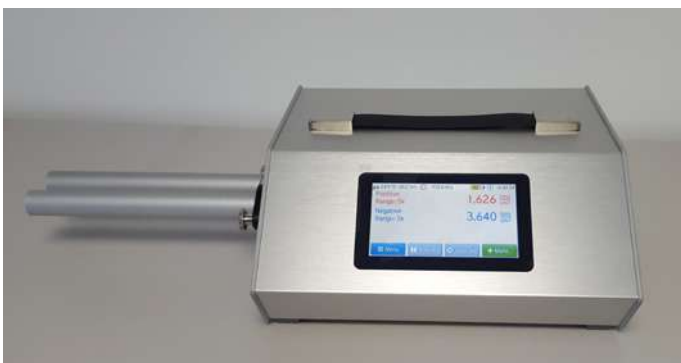
Countryside: 2.000 ions/cm<sup>3</sup>

But it is **less than 100 ions/ cm<sup>3</sup>** in homes and in closed environments in general.

According to international standards, the concentrations of positive and negative ions per cm<sup>3</sup> **are healthy when greater than 400 ions per cm<sup>3</sup> and not more than 50000 ions per cm<sup>3</sup>.**

We indicated describe below the test we did performed with a ion measurement device to verify the efficacy of our purifier. We placed Ion in an office of 55 m<sup>3</sup> volume (occupied by one person) at a distance of 3.5 meters from the measurement device.

After 6 hours of testing we detected:



**-1626 ions positive/cm<sup>3</sup>**

**-3640 ions negative/cm<sup>3</sup>**

This test shows us that bipolar ionization technology of Ion is able to **restore optimal ion levels** for our well-being **in indoor spaces**.

## BIPOLAR IONIZATION PROCESS

The basic principal of Ion is the permanent flushing of the area with **clean air reinforced with positive and negative oxygen ions**. These charged oxygen molecules O<sub>2</sub><sup>+</sup> and O<sub>2</sub><sup>-</sup> have high chemical activity and when reacting with water molecules present in the air, H<sub>2</sub>O<sub>2</sub> (Hydrogen Peroxide) is formed. A chemical reaction occurs and oxidants **break down the protein structure of pollutants (virus, bacteria, moulds etc.) leaving them harmless**.

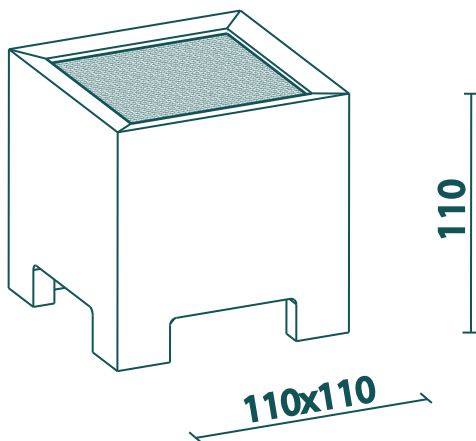
Furthermore, Ion is an **Ozone free** purifier because its controlled bipolar ionization process releases only 0,005ppm of ozone; according to the italian **Ministry of Health**, the concentration of ozone in the atmosphere is about 0.04 ppm, **8 times higher than that released by Ion**.

## LAB TEST

Ion's technology has been effectively tested against some types of pathogens in the following research centers:

Bacteria	EMSL Analytical, USA; Istanbul University, Turkey
Fungus	EMSL Analytical, USA; Prof. Joe F. Boatman, USA
Moulds	EMSL Analytical
Spores	Istanbul University, Turkey
Virus	Kitasato Research Center, Japan; Kasetsart University, Thailand; Retroscreen Virology, UK; Kitaso Institute Medical Center Hospital, Japan

## ION TECHNICAL DATA



Lamp / Purifier	Indoor
Maximum purifying capacity	50m <sup>3</sup> -70m <sup>3</sup> *
Ions emission	10 <sup>10</sup> ions/sec
Ions balance	Self balancing
Ozone	0,005 ppm (part per million)
Power supply	12v dc
Operating temperature	From +5°C to +55°C
Protection	IP20
Dimensions	110mmx110mmx110mm
Lighting source	Led 3000K - 30 Lm
Certification	CE

\*Capacity can vary depending on different environmental conditions (people in the room, air circulation, etc.)

**The Ion air purifier** is the ideal product for: private homes, offices, professional offices, dental offices, medical offices, hospitals, restaurants, bars, hotels, resorts, bed and breakfasts and in general all accommodation facilities, meeting rooms, waiting rooms, receptions, dressing rooms, pharmacies, post offices, shops, bookstores, schools, libraries, kindergartens, veterinary clinics, wellness centers, hairdressers, beauticians, etc...

For **complete information** about tests and certifications please feel free to contact us by email: [info@hiproject.it](mailto:info@hiproject.it); for further details please visit the page of our website [www.brillamenti.it](http://www.brillamenti.it): **Ion air purifier**.



Made in Italy



# ION

*The finest air that the gods breathe*



---

**BRILLAMENTI** is pleased to introduce you **ION**, an innovative air purifier that effectively cleans closed environments **breaking down viruses, moulds, bacteria, mites, fine dust and pollen**; without producing UV rays, or any type of substance harmful to humans.

**ION** is also a design table lamp with a suggestive **ray of light** and a natural **balsamic perfume coming from the wood it's wrapped in**.

---





Nature has thought everything, even to produce clean air using positive and negative ions generated by solar and terrestrial energies. Brillamenti, with Ion, **reproduces the action of Mother Nature** by restoring the ideal ionic balance in the air.

Thanks to this process, it will be like breathing the high mountain or the water edge air directly inside your living spaces.

The technology enclosed in Ion is able to:

- effectively break down allergens and harmful pollutants, **viruses, bacteria;**
- reduce bad smells, fine dust and Volatile Organic Compounds (VOC);
- inactivate moulds spores;
- stimulate a feeling of well-being and positive energy.

**It does not require particular maintenance.**

Ion is equipped with a **double LED lighting source** designed to create warm and relaxing decorative effects.

Built with **Cirmolo wood**, a tree that grows at high altitudes in our beautiful Dolomites, this lamp gives, with its persistent balsamic scent, a pleasant sense of lightness and tranquility.

From its traditional uses this wood is well known for its antibacterial properties, and for supporting a better sleep and energy recovery.



## USEFUL INFORMATS

As an example, we indicate the average concentration of air ions in some natural areas:



Mountain: 15.000 ions/cm<sup>3</sup>



Coast areas: 50.000 ions/cm<sup>3</sup>



Countryside: 2.000 ions/cm<sup>3</sup>

But it is **less than 100 ions/ cm<sup>3</sup>** in homes and in closed environments in general.

According to international standards, the concentrations of positive and negative ions per cm<sup>3</sup> **are healthy when greater than 400 ions per cm<sup>3</sup> and not more than 50000 ions per cm<sup>3</sup>.**

We indicated describe below the test we did performed with a ion measurement device to verify the efficacy of our purifier. We placed Ion in an office of 55 m<sup>3</sup> volume (occupied by one person) at a distance of 3.5 meters from the measurement device.

After 6 hours of testing we detected:



**-1626 ions positive/cm<sup>3</sup>**

**-3640 ions negative/cm<sup>3</sup>**

This test shows us that bipolar ionization technology of Ion is able to **restore optimal ion levels** for our well-being **in indoor spaces**.

## BIPOLAR IONIZATION PROCESS

The basic principal of Ion is the permanent flushing of the area with **clean air reinforced with positive and negative oxygen ions**. These charged oxygen molecules O<sub>2</sub><sup>+</sup> and O<sub>2</sub><sup>-</sup> have high chemical activity and when reacting with water molecules present in the air, H<sub>2</sub>O<sub>2</sub> (Hydrogen Peroxide) is formed. A chemical reaction occurs and oxidants **break down the protein structure of pollutants (virus, bacteria, moulds etc.) leaving them harmless**.

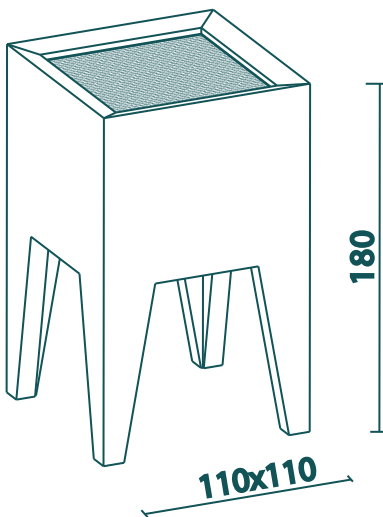
Furthermore, Ion is an **Ozone free** purifier because its controlled bipolar ionization process releases only 0,005ppm of ozone; according to the italian **Ministry of Health**, the concentration of ozone in the atmosphere is about 0.04 ppm, **8 times higher than that released by Ion**.

## LAB TEST

Ion's technology has been effectively tested against some types of pathogens in the following research centers:

Bacteria	EMSL Analytical, USA; Istanbul University, Turkey
Fungus	EMSL Analytical, USA; Prof. Joe F. Boatman, USA
Moulds	EMSL Analytical
Spores	Istanbul University, Turkey
Virus	Kitasato Research Center, Japan; Kasetsart University, Thailand; Retroscreen Virology, UK; Kitaso Institute Medical Center Hospital, Japan

## ION TECHNICAL DATA



Lamp / Purifier	Indoor
Maximum purifying capacity	50m <sup>3</sup> -70m <sup>3</sup> *
Ions emission	10 <sup>10</sup> ions/sec
Ions balance	Self balancing
Ozone	0,005 ppm (part per million)
Power supply	12v dc
Operating temperature	From +5°C to +55°C
Protection	IP20
Dimensions	110mmx110mmx180mm
Lighting source	Led 3000K - 30 Lm
Certification	CE

\*Capacity can vary depending on different environmental conditions (people in the room, air circulation, etc.)

**The Ion air purifier** is the ideal product for: private homes, offices, professional offices, dental offices, medical offices, hospitals, restaurants, bars, hotels, resorts, bed and breakfasts and in general all accommodation facilities, meeting rooms, waiting rooms, receptions, dressing rooms, pharmacies, post offices, shops, bookstores, schools, libraries, kindergartens, veterinary clinics, wellness centers, hairdressers, beauticians, etc...

For **complete information** about tests and certifications please feel free to contact us by email: [info@hiproject.it](mailto:info@hiproject.it); for further details please visit the page of our website [www.brillamenti.it](http://www.brillamenti.it): **Ion air purifier**.



Made in Italy